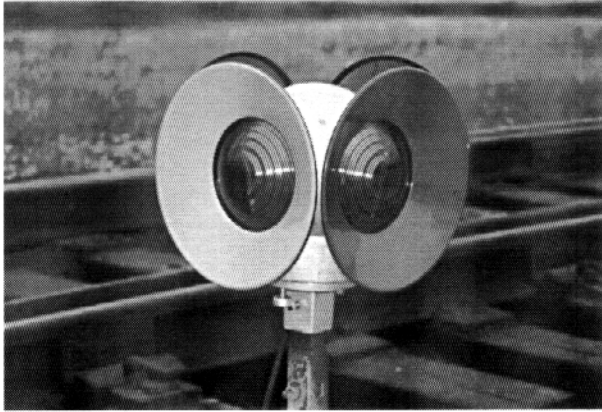


Aluminum Switch Lamps

Type 1880



- Provide brilliant, steady light
- Allow safer yard operation with independent source of light for switch position indication
- Increase night operating efficiencies
- For both battery and commercial current

Low-maintenance, cast aluminum switch lamps are configured to satisfy all operating requirements. Many lenses available – see chart below. Lexan lenses resist breakage. Targets are porcelain coated metal.

Light bulbs are single contact bayonet base. Can be furnished with or without targets. Targets available in several colors - red, green, yellow, white, blue.

Lamp Type	Lens Description	Color Choices
1880	5 3/8" Dia., 30° Horizontal Spread 10° Up Deflection	red purple green yellow blue clear lunar white

How to order

Specify color of lens and targets. Also indicate whether or not light bulbs are to be furnished with lamps.

1832-51	110V, 10W Lamp
1832-53	10V, 18W Lamp
1832-LED-W	120 VAC LED LAMP

Lamp tip adaptor kit
(for tips other than
AREA type 251-64) 38-0080-20

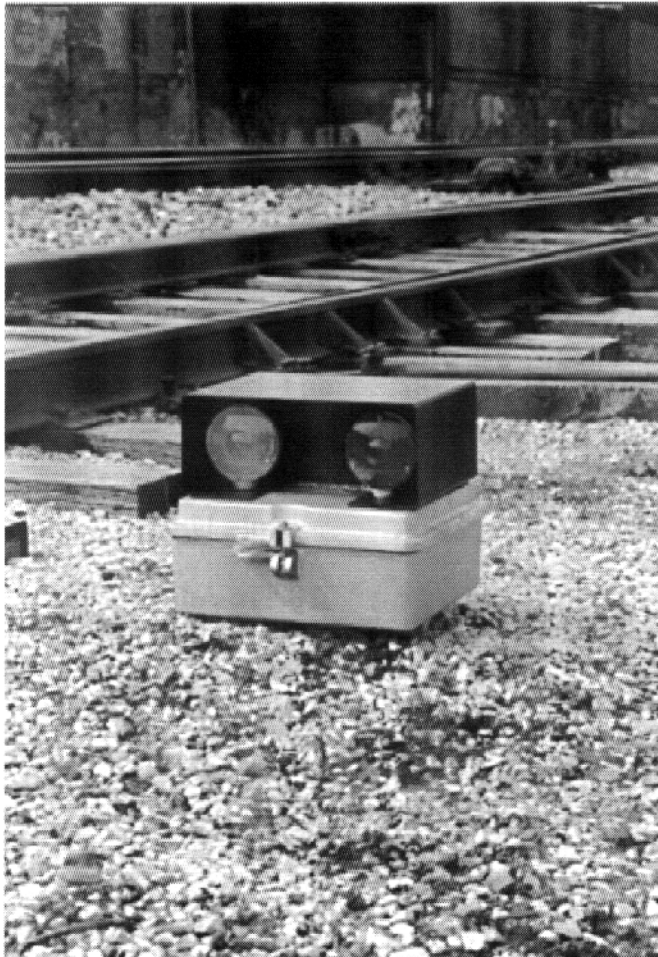
WESTERN-CULLEN-HAYES, INC.

2700 W. 36TH PLACE
(773) 254-9600

CHICAGO, ILL. 60632
FAX (773) 254-1110

Position Indicator Light Assembly

The Western-Cullen-Hayes Model 1236-70, cast aluminum position indicator is not only a economical alternative to expensive dwarf signals, but doubles as a terminal housing. The Model 1236-70 is used in conjunction with switch circuit controllers, or external control logic, to give train crew a positive read-back of the position of switch points or derails. The two aspect signal lights on the Model 1236-70 are specially modified four inch diameter lights which use a standard 10 volt, 18 watt signal lamp. Lenses are available in red, green, amber, blue and clear. Consult Western-Cullen-Hayes with your indicator light, cable entrance and terminal configuration requirements.

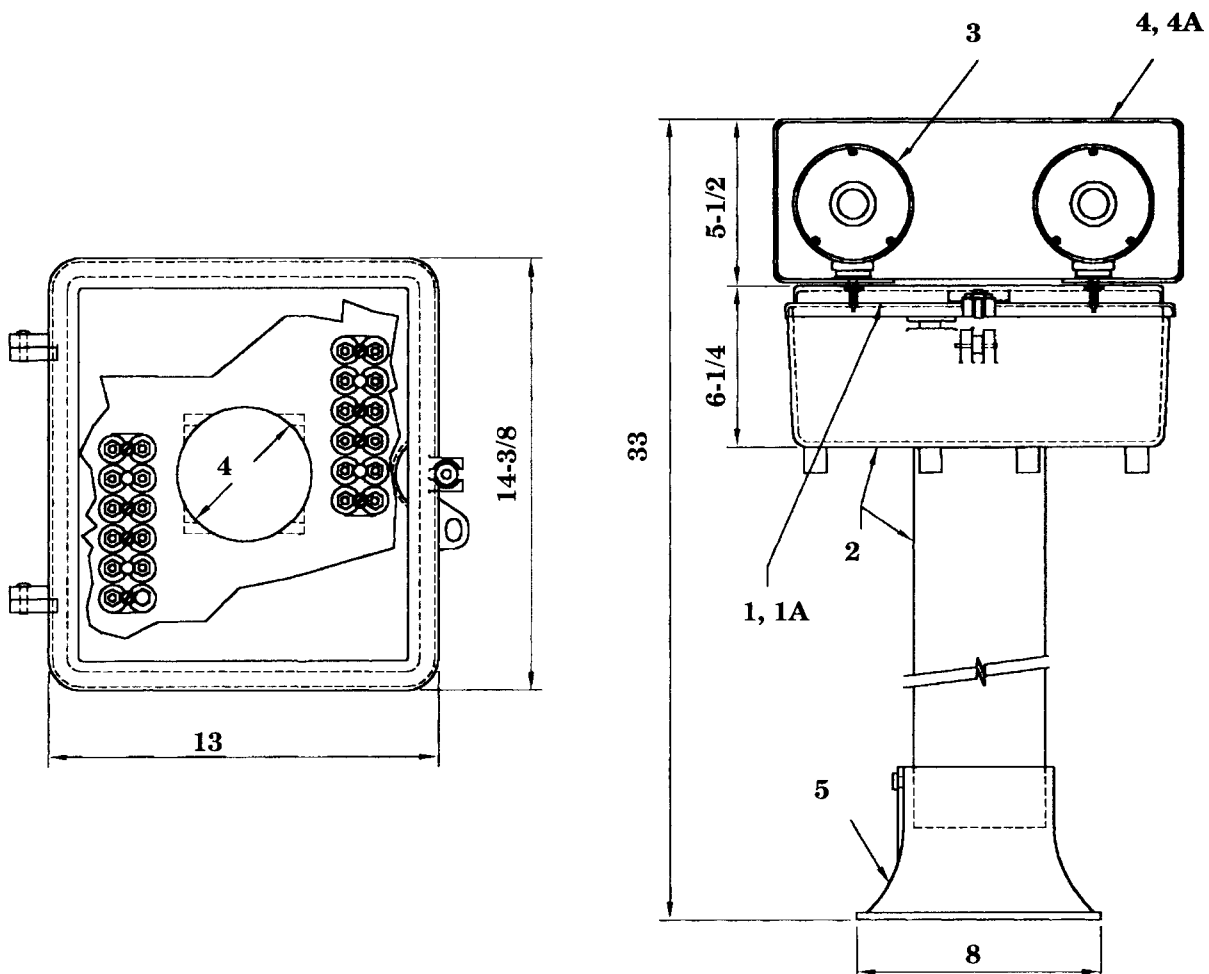


WESTERN-CULLEN-HAYES, INC.

2700 W. 36TH PLACE CHICAGO, IL. 60632
(773) 254-9600 FAX (773) 254-1110

Model 1236-70 Position Indicator Parts

Reference	Description	Part No.
1	Two-way Cover	1236-70-21-2
1-A	One-way Cover	1236-70-21-1
2	Case and Riser Assembly	Consult Factory
3	Light Assembly. Specify Color	70-017 ()
4	Two-way Shade	70-0182
4-A	One-way Shade	70-0190
5	Foot Casting	1233-2



WESTERN-CULLEN-HAYES, INC.

2700 W. 36TH PLACE
 (773) 254-9600

CHICAGO, IL. 60632
 FAX (773) 254-1110