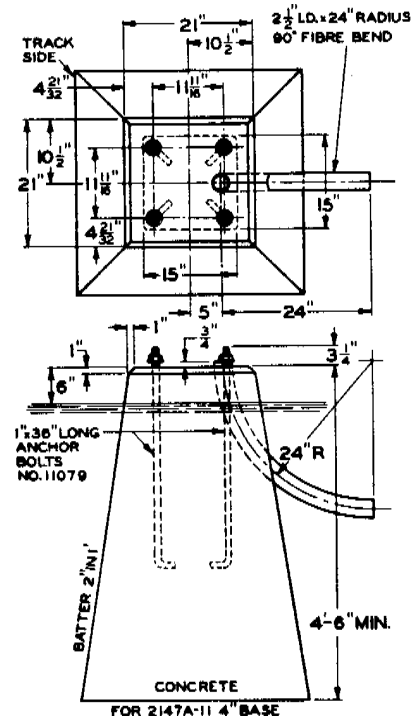


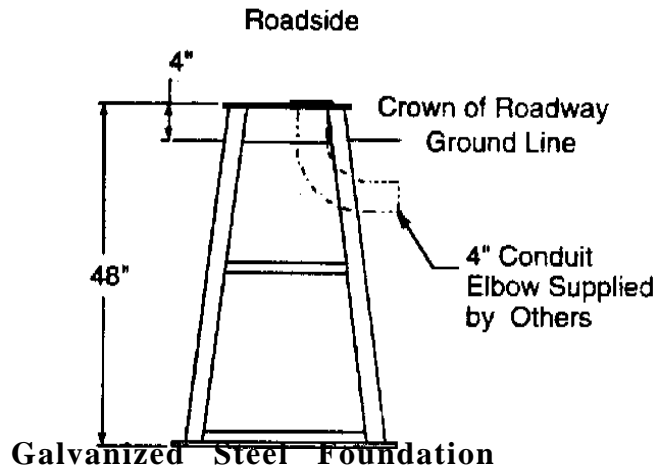
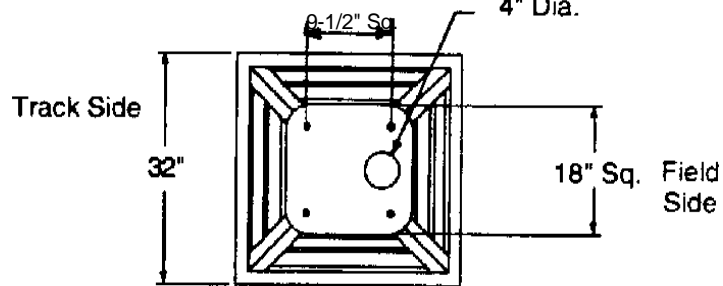
Suggested Foundations For Flashing Light Signals Using 4 Inch Masts



NOTE: For 14492 base, locate conduit entrance in center of foundation.

NOTE: For 2143-A, 4" base, locate conduit entrance in center of foundation.

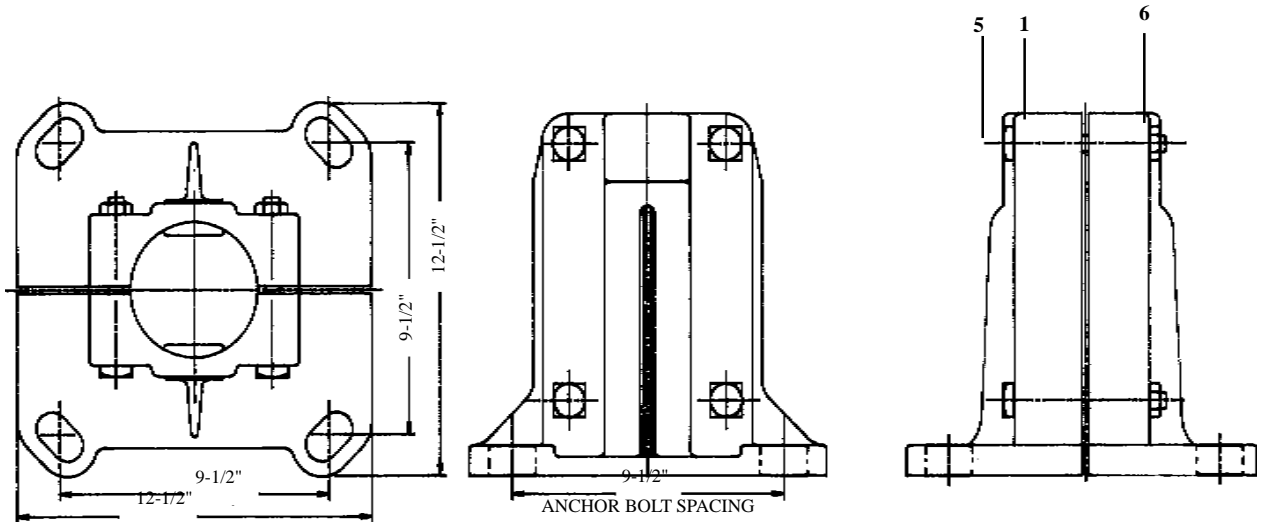
Concrete Foundations



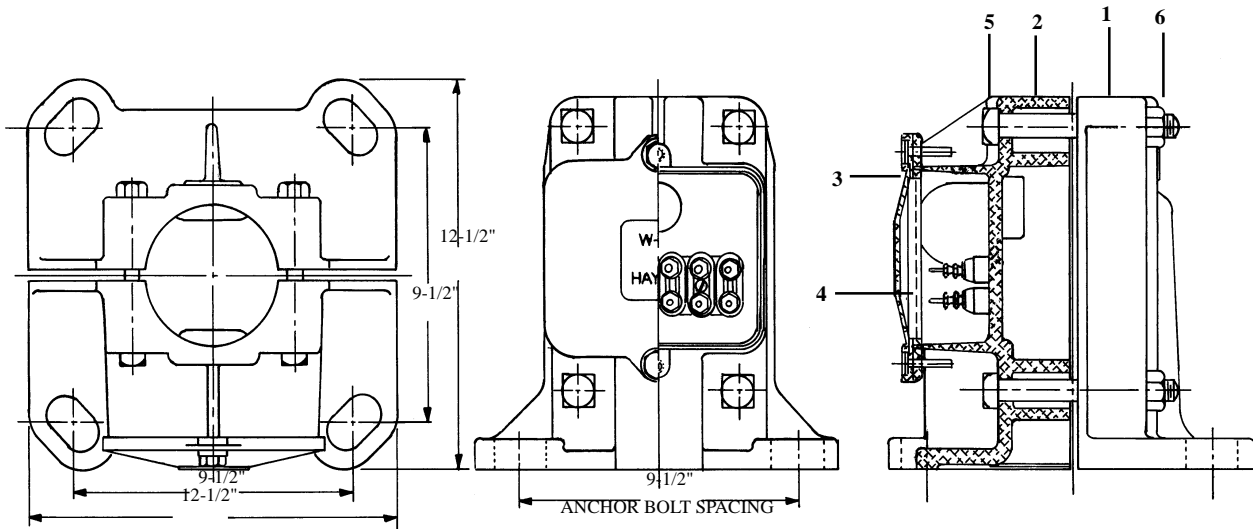
No. 1181-10

Clamp Bases for 4 Inch Masts

These cast aluminum clamp type signal bases are available as plain split bases or with one or both halves having a cast-in junction box capable of holding a bakelite terminal strip of 6 units (12 binding posts).



Reference A

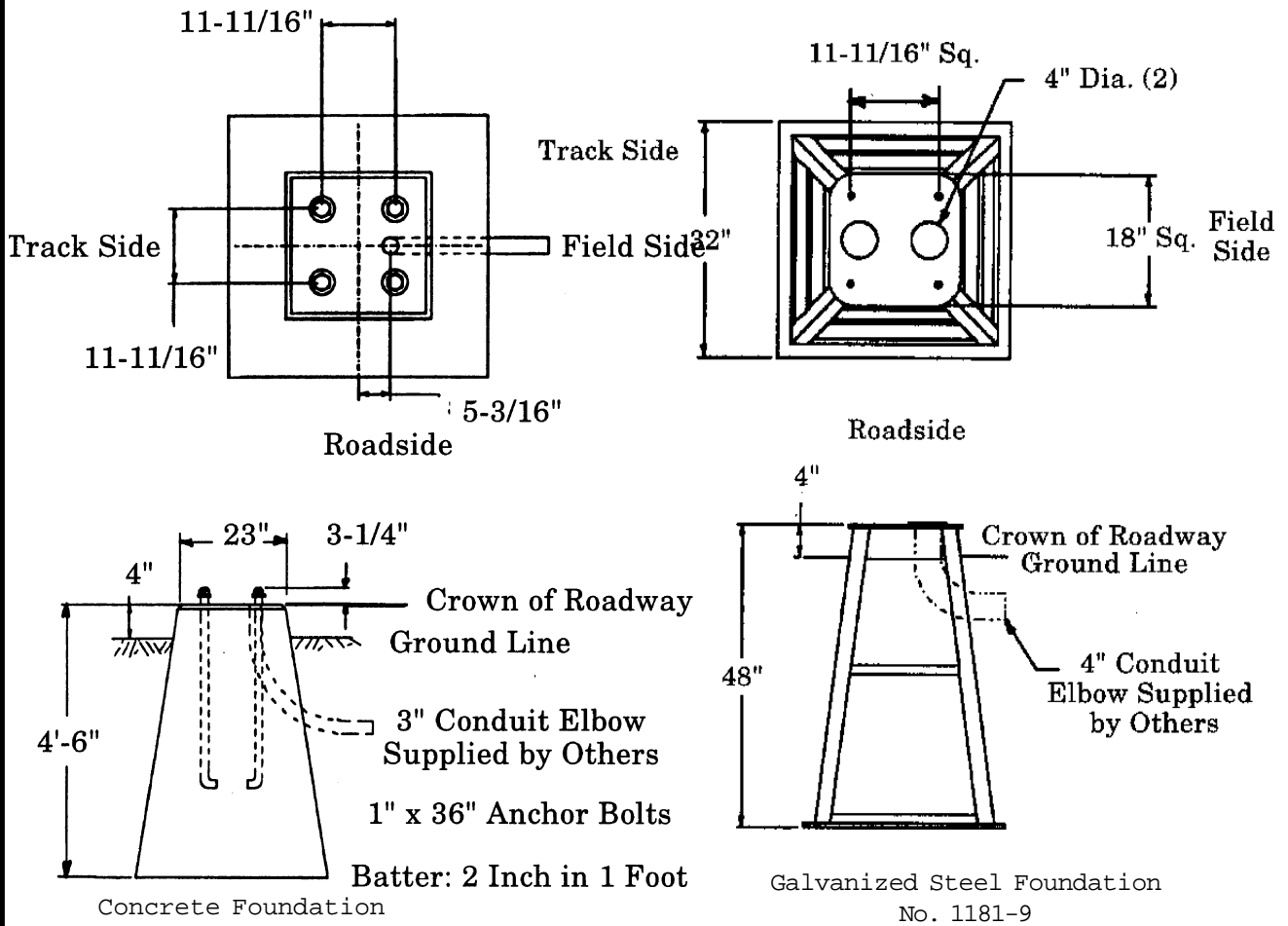


Reference B

Clamp Bases for 4 Inch Masts

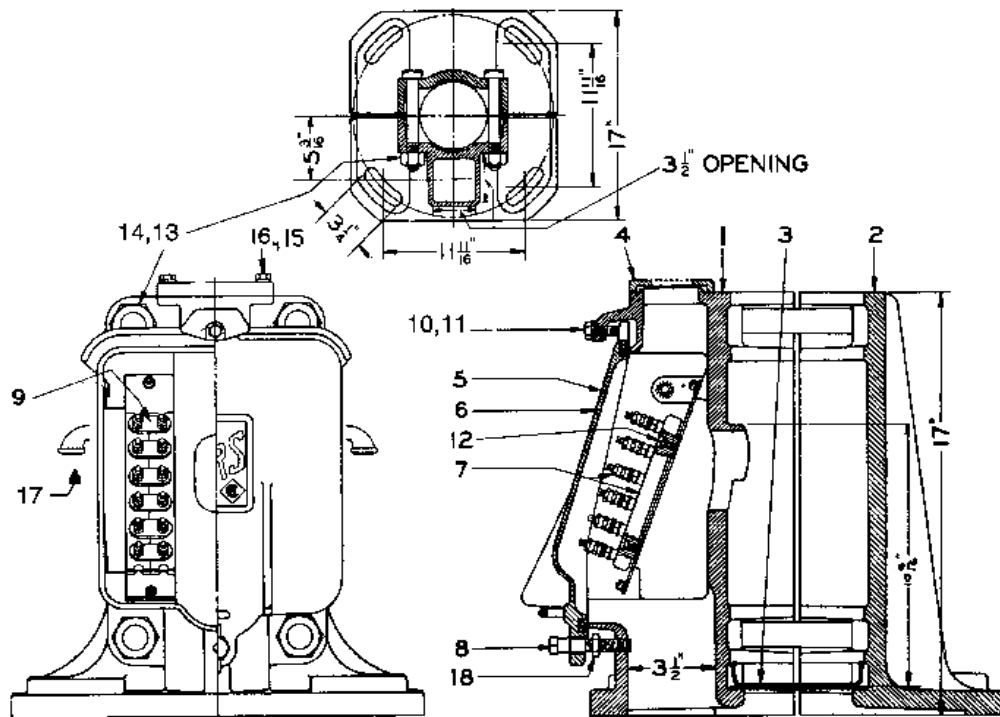
| Reference | Description | Part No. |
|--------------------------|---|----------------|
| A | Type 14492 Plain Split Base Assembly, for 4" I.D. pipe, with 9-1/2" x 9-1/2" anchor bolt spacing | 14492-A |
| A1 | Type 2143 Plain Split Base Assembly, for 4" I.D. pipe, with 11-11/16" x 11-11/16" anchor bolt spacing (not shown) | 2143-A |
| B | Type 2146 Junction Box Split Base Assembly with six terminals for 4" I.D. pipe, with 9-1/2" x 9-1/2" anchor bolt spacing | 2146-A-11 |
| B1 | Type 2147 Junction Box Split Base Assembly with six terminals, for 4" I.D. pipe, with 11-11/16" x 11-11/16" anchor bolt spacing (not shown) | 2147-A-11 |
| C | Same as Reference B but junction box on both halves (not shown) | 2146-A-12 |
| C1 | Same as Reference B1 but junction box on both halves (not shown) | 2147-A-12 |
| REPLACEMENT PARTS | | |
| 1 | Plain Half Base Casting for Reference A and B | 1449-A-1 |
| 1A | Plain Half Base Casting for Reference A1 and B1 | 2143-A-1 |
| 2 | Junction Box Half Casting for Reference B and C | 2146-A-15-C |
| 2A | Junction Box Half Casting for Reference B1 and C1 | 2147-A-15-A |
| 3 | Cover for Reference B and C | 2148-A-16 |
| 3A | Cover for Reference B1 and C1 | 2148-16-1 |
| 4 | Double row terminal block | 2507-106 |
| 5 | 3/4"-10 x 6-1/2" hex head bolt | CC-12-UU-3-065 |
| 6 | 3/4"-10 hex nut | JJ-12-UU-3 |

Suggested Foundations For Flashing Light Signals or Model 10 Gate Signals Using 5 Inch Masts



Clamp Bases for 5 Inch Masts

These cast aluminum clamp type signal bases are available as plain split bases or with one or both halves having a cast-in junction box capable of holding the required number of terminals.



Reference A

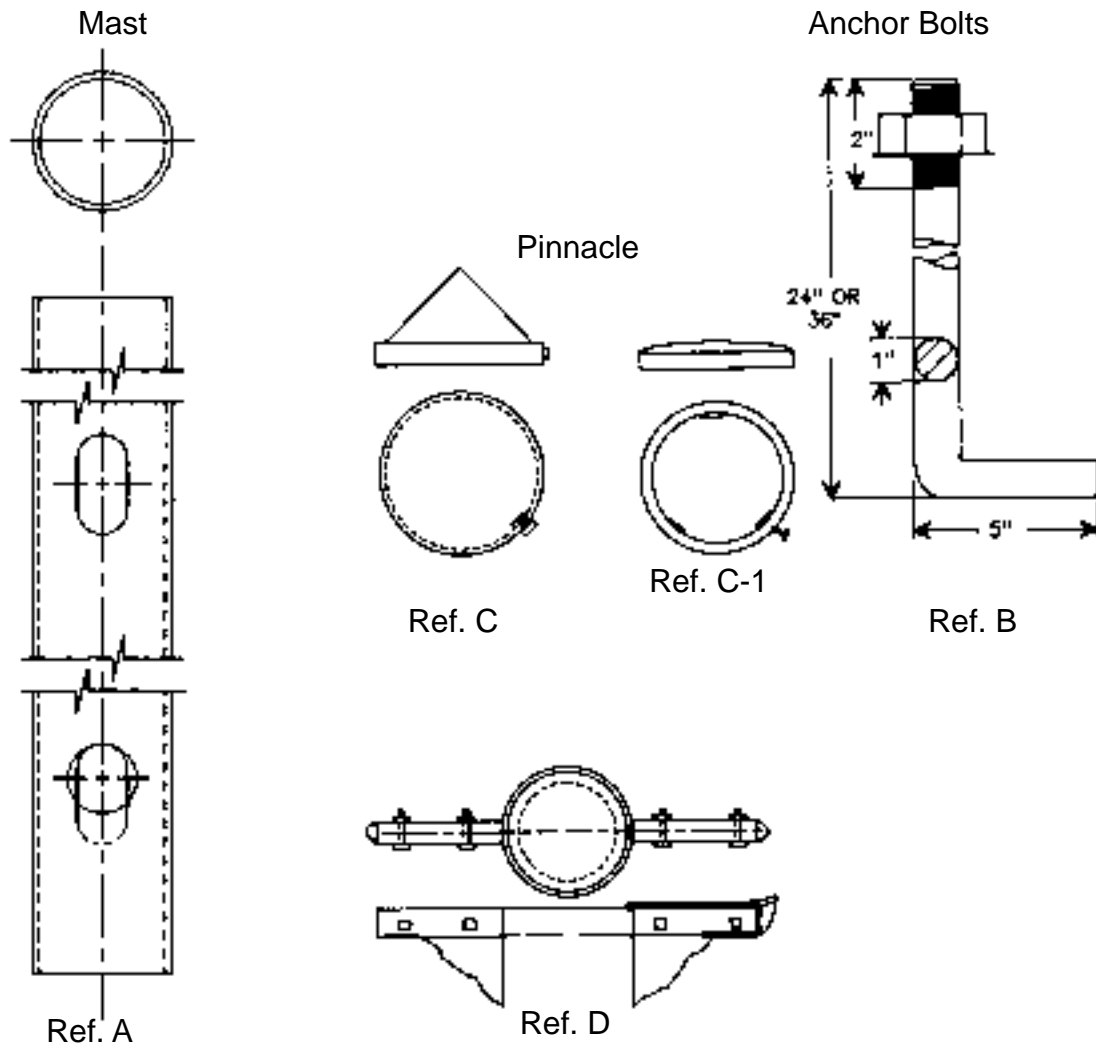
| Reference | Description | Part No. |
|-----------|---|--------------|
| A | Type 2149 Junction Box Split Base Assembly with 24 terminals, for 5" I.D. pipe, with 11-11/16" x 11-11/16" anchor bolt spacing. | 2149-A-111-G |
| B | Same as Reference A but with 32 terminals (not shown). | 2149-A-121 |
| C | Same as Reference A but for use with mast mounted power supply (not shown). | 2149-A-111-K |
| D | Same as Reference A but with junction box on both halves, and 48 terminals (not shown). | 2149-A-112-E |
| E | Type 2149 Plain Split Base Assembly for 5" I.D. pipe, with 11-11/16" x 11-11/16" anchor bolt spacing (not shown). | 2149-A-213 |

Parts for Clamp Bases for 5 Inch Masts

Ordering References

| Reference | Description | Part No. |
|-----------|--|-----------------|
| 1 | Junction box half | 2149-A-15-D |
| 2 | Split base half | 2149-A-13 |
| 3 | Pipe shield | 2149-44 |
| 4 | Cap with 1-1/2" NPT hole | 2149-A-28-G |
| 5 | Weatherstrip | 400-39-00 |
| 6 | Cover | 2149-A-16 |
| 7 | Terminal strip with hardware | 2508-106 |
| 8 | 5/16"-18 x 2" hex head cap screw | BB-12-GG-3-02 |
| 9 | Shunting plate | 7323-2 |
| 10 | 5/16" plain washer | PP-00-AK-3 |
| 11 | 5/16"-18 x 1" hex head cap screw | BB-12-GG-3-01 |
| 12 | 1/4"-20 x 3/4" filister head machine screw | AA-16-EE-3-0075 |
| 13 | 1" x 8" hex nut | HH-12-YY-3 |
| 14 | 1"-8 x 8" hex head bolt | CC-12-YY-3-08 |
| 15 | 3/8"-16 x 1-1/8" hex head cap screw | BB-12-JJ-3-0112 |
| 16 | 3/8" split lockwasher | RR-00-JJ-3 |
| 17 | Ventilator assembly | 1143-16-A |
| 18 | Push nut | 970-45 |

Parts for Flashing Light Crossing Signals



| Ref. | Description | Part No. |
|------|---|-----------|
| A | Mast, 4" I.D. X 15'-6" long, for flashing light signals. Please specify drilling. | 714-00-00 |
| A-1 | Mast, 5" I.D. X 16' long for flashing light signals or flashing light signals with gates. Please specify drilling. (Not shown). | 715-00-00 |
| B | Galvanized steel anchor bolt, for gated signal, 1" X 36" with washer and hex nut. | 11079 |
| B-1 | Galvanized steel anchor bolt, for flashing light signal, 1" X 24" with washer and hex nut. (Not shown). | 11079-1 |
| | *Anchor bolts for cantilever structures available upon request. | |
| C | Pinnacle for 4" I.D. mast. | 110-A-6 |
| C-1 | Pinnacle for 5" I.D. mast. | 110-A-8 |
| D | Pole step, complete for 4" I.D. mast. | 10151 |
| D-1 | Pole step, complete for 5" I.D. mast. (Not shown). | 10152 |