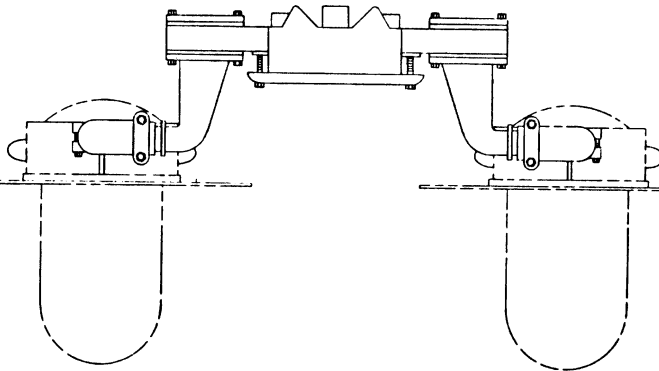


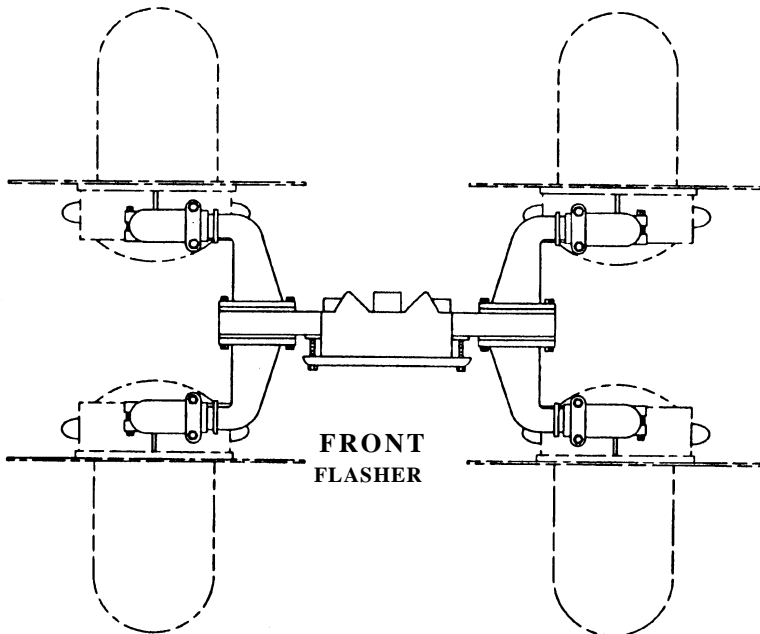
Crossarm Assemblies for use with Flashing Light Signals, Cantilevers and Model 10 Gate Signals



Mounting Specification		
Ref.	Mtg.	Use
1	4"	1 W Std. Flasher or Rot. Cant. Arm
1	5"	1 W Gate, Extra 90° Right
2	8"	1 W Rot. Cant., Extra 90° Left
2	10"	1 W W.O. Cant., Extra 90° Left
2	12"	1 W W.O. Cant., Extra 90° Left
2	Bkt.	1 W W.O. Cant., Extra 90° Left

Ref. 1. 12" LED Light Assy 975-912
 12" Light Assy. 975-412
 8-3/8" Light Assy. 970-412
 Arm Only 960-83

Ref. 2. 12" LED Light Assy 975-914
 12" Light Assy. 975-414
 8-3/8" Light Assy. 970-414
 Arm Only 960-81-X



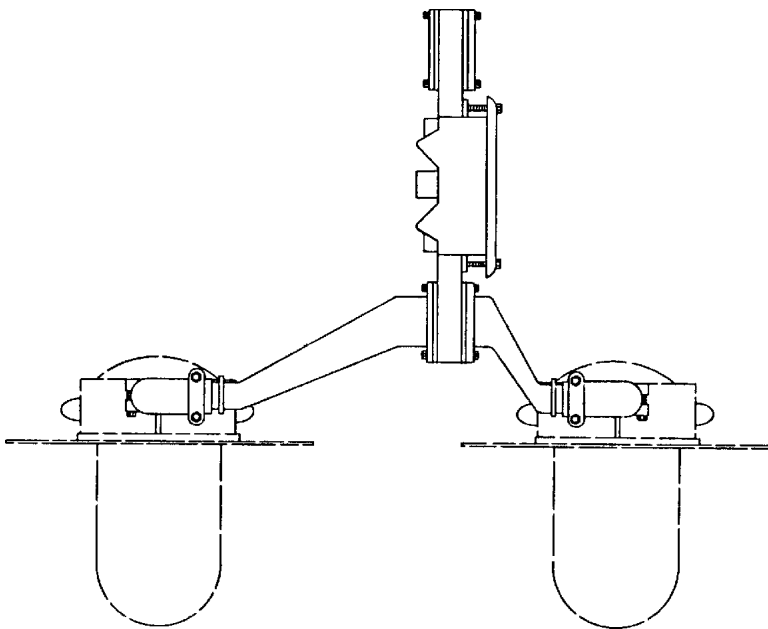
Mounting Specification	
Mtg.	Use
4"	2W Standard Flasher
5"	2W Gate, Extra
8"	2W Rot. Cantilever, Extra

12" LED Light Assy 975-918
 12" Light Assy. 975-418
 8-3/8" Light Assy. 970-418
 Arm Only 960-88

All crossarms, brackets and elbows are made of cast aluminum.

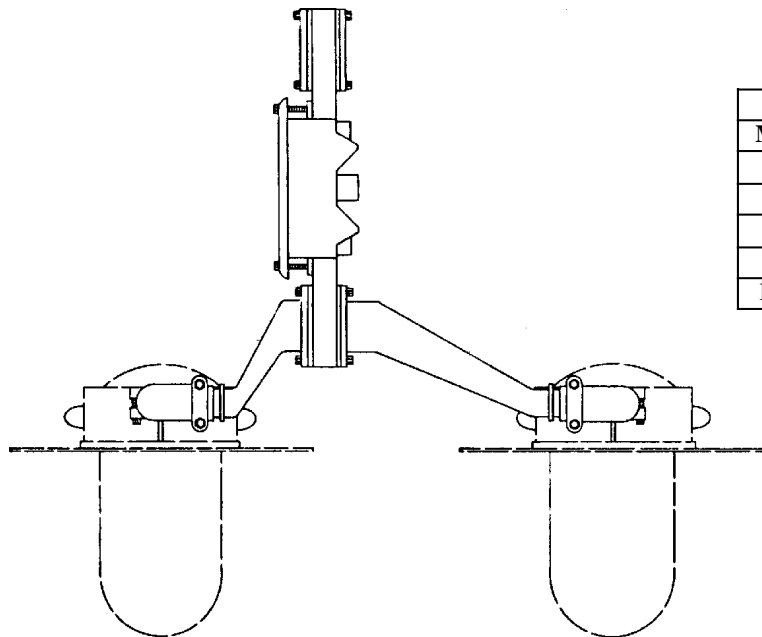


Crossarm Assemblies for use with Flashing Light Signals, Cantilevers and Model 10 Gate Signals



Mounting Specification	
Mtg.	Use
5"	1W Gate, Front

- 12" LED Light Assy 975-804-X
- 12" Light Assy. 975-304-X
- 8-3/8" Light Assy. 970-304-X
- Arm Only 960-28



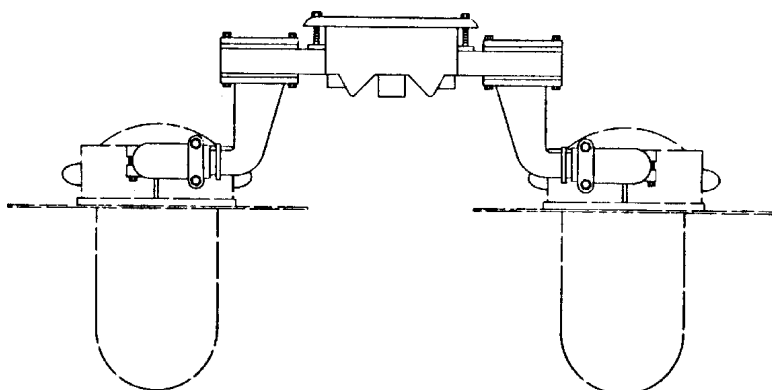
Mounting Specification	
Mtg.	Use
5"	1W Gate, Back
8"	1W Rot. Cantilever Mast Front
10"	1W W.O. Cantilever Mast Front
12"	1W W.O. Cantilever Mast Front
Bkt.	1W W.O. Cantilever Mast Front

- 12" LED Light Assy 975-804-XA
- 12" Light Assy. 975-304-XA
- 8-3/8" Light Assy. 970-304-XA
- Arm Only 960-27

WESTERN-CULLEN-HAYES, INC.

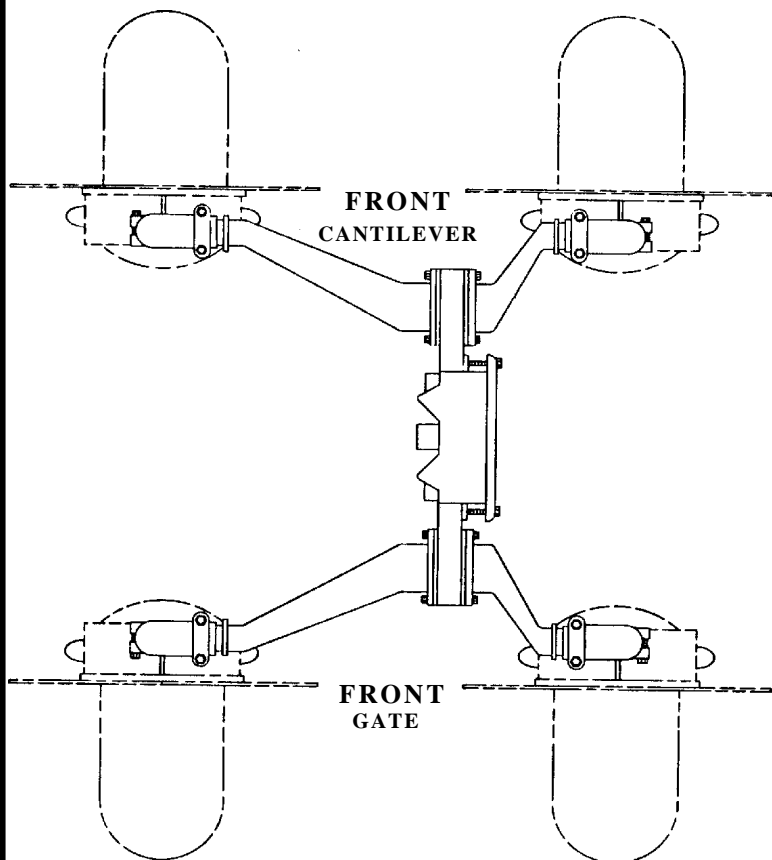
2700 W. 36TH PLACE CHICAGO, IL. 60632
 (773) 254-9600 FAX (773) 254-1110

Crossarm Assemblies for use with Flashing Light Signals, Cantilevers and Model 10 Gate Signals



Mounting Specification	
Mtg.	Use
4"	1W W.O. Cantilever Arm

- 12" LED Light Assy 975-915
- 12" Light Assy. 975-415
- 8-3/8" Light Assy. 970-415
- Arm Only 960-81



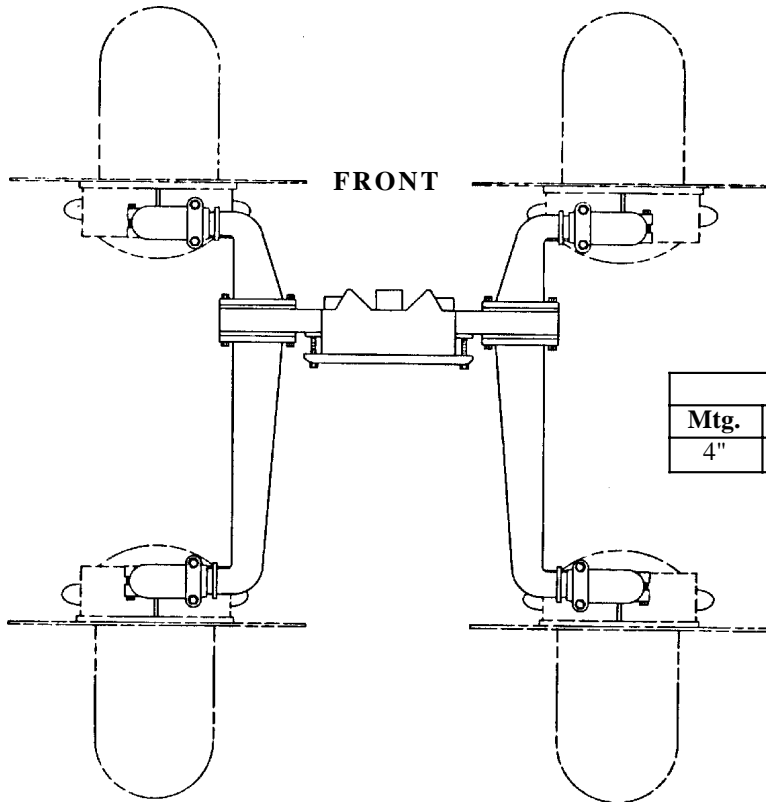
Mounting Specification	
Mtg.	Use
5"	2W Gate, Main Lights
8"	2W Rot. Cantilever Mast
10"	2W W.O. Cantilever Mast
12"	2W W.O. Cantilever Mast
Bkt.	2W W.O. Cantilever Mast

- 12" LED Light Assy 975-804
- 12" Light Assy. 975-304
- 8-3/8" Light Assy. 970-304
- Arm Only 960-58

WESTERN-CULLEN-HAYES, INC.

2700 W. 36TH PLACE CHICAGO, IL. 60632
 (773) 254-9600 FAX (773) 254-1110

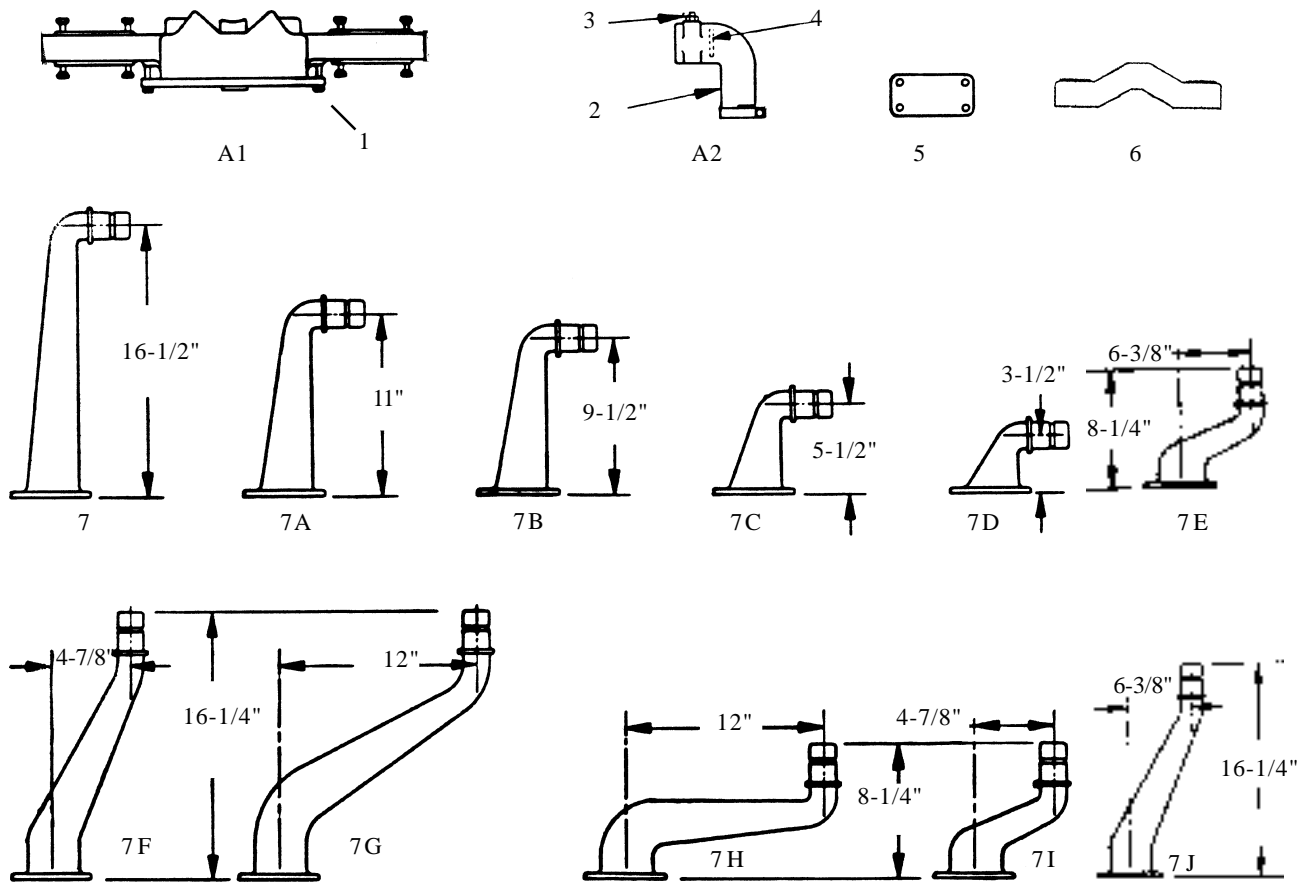
Crossarm Assemblies for use with Flashing Light Signals, Cantilevers and Model 10 Gate Signals



Mounting Specification	
Mtg.	Use
4"	2W W.O. Cantilever Arm

- 12" LED Light Assy 975-811
- 12" Light Assy. 975-311
- 8-3/8" Light Assy. 970-311
- Arm Only 960-51

Crossarm Replacement Parts



Ref. No.	Description	Part No.
A1	Sub-assembly of junction box cross arm (Includes items 1, 5, 8,10)	950-A-62
A2	Sub-assembly of supporting bracket (Includes items 2, 3 & 4)	960-163
1	Cover, complete with gasket	950-A-21
2	Supporting bracket, threaded, one end	960-A-131
2-A	Supporting bracket, threaded at both ends (not shown)	950-A-132-A
3	"U" bolt	950-31
4	Gasket, sponge rubber	950-28
5	Cover plate	950-A-39
6	Adaptor clamp	950-A-34
7	Bracket 16-1/2"	950-A-46
7A	Bracket 11"	950-A-37
7B	Bracket 9-1/2"	950-A-47
7C	Bracket 5-1/2"	950-A-36
7D	Bracket 3-1/2"	950-A-57
7E	Bracket 8-1/4" x 6-3/8"	950-A-23
7F	Bracket 16-1/4" x 4-7/8"	950-A-67
7G	Bracket 16-1/4" x 12"	950-A-77
7H	Bracket 8-1/4" x 12"	950-A-76
7I	Bracket 8-1/4" x 4-7/8"	950-A-66
7J	Bracket 16-1/4" x 6-3/8"	950-A-24
8	Junction box cross arm (casting only not shown)	950-A-22
9	Gasket, cork (not shown)	950-27
10	Terminal block, complete (not shown)	2507-6-1

WESTERN-CULLEN-HAYES, INC.

2700 W. 36TH PLACE CHICAGO, IL. 60632
 (773) 254-9600 FAX (773) 254-1110