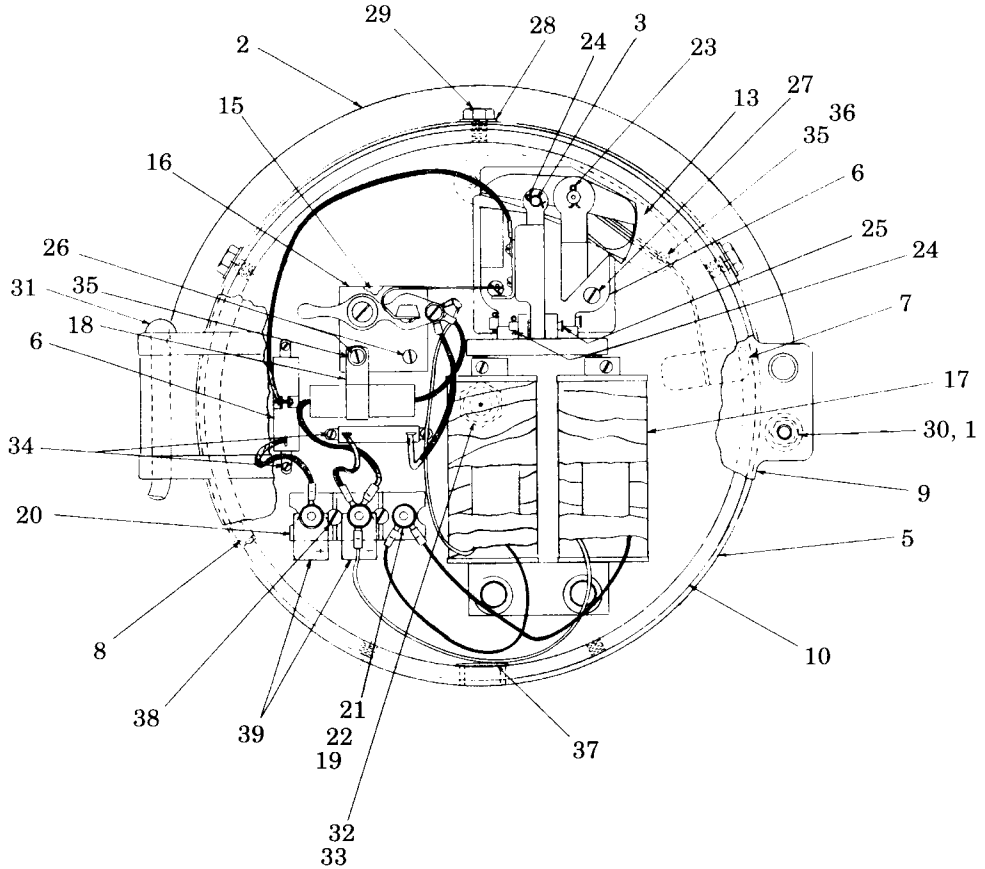


## Model 0333 DC Highway Crossing Bell



Ref.	Description	Part Number
1	Push Nut	970-45
2	Rain Shield	1208-CA
3	1/4" X 1-1/4" Clevis Pin	1209-16
5	Gong	1211
6	Movement Base Assembly	1215*
*	Movement Base Sub-Assembly	1209-1
*	Armature & Pins Sub-Assembly	1209-2
*	Operating Link	1209-4
*	1/4" x 2" Clevis Pin	1209-17
*	Contact Arm	1210-5
*	Resistor Sub-Assembly	1210-42

**WESTERN-CULLEN-HAYES, INC.**

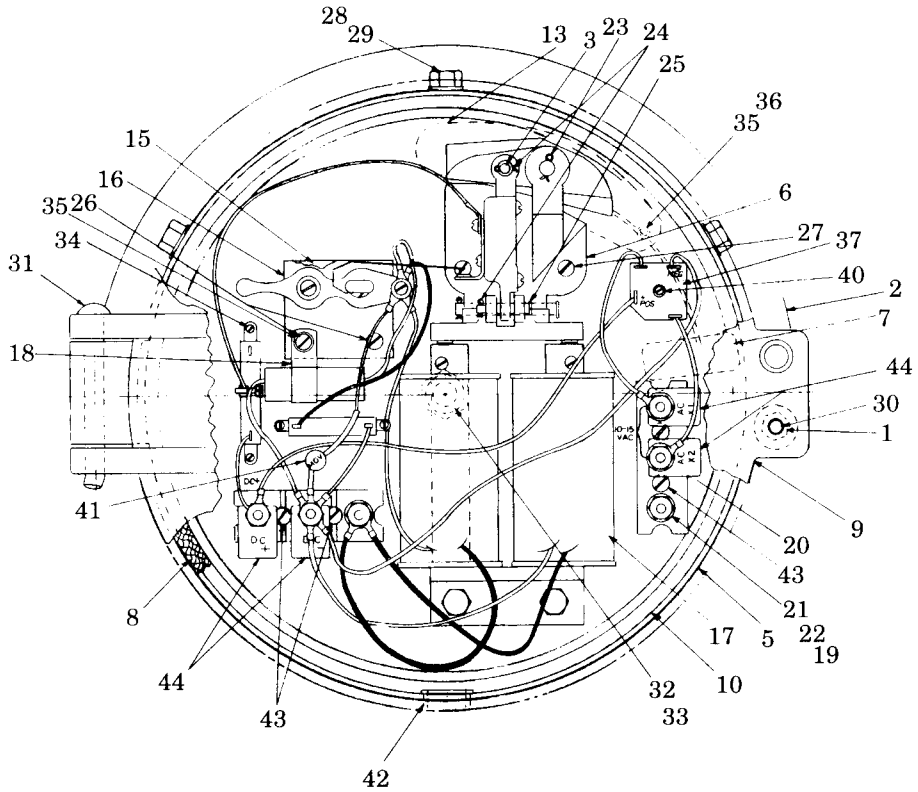
2700 W. 36TH PLACE  
(773) 254-9600

CHICAGO, IL. 60632  
FAX (773) 254-1110

**Model 0333 DC Parts List - Continued**

Ref.	Description	Part Number
7	Oscillator & Hammer Assembly	1215-1**
**	Oscillator	1209-11
**	Hammer & Reinforcement Spring	1210-17
8	Cover Gasket	1217-2
9	Cover	1219-2-M
10	Case	1220-2-M
13	Dust Guard-Felt	1248-15-1
15	Contact Block Insulator	1249-16-1
16	Contact Block Assembly	1249-26-1
17	Coil & Core Assembly	1249-30
18	Cable Clamp	1953-30-1
19	Clamp Nut	10707
20	Terminal Strip	2508-69-3
21	Binding Nut	10706
22	Washer	10708
23	1/16" X 1/2" Cotter Pin	VV-00-AZ-3-005
24	1/16" X 3/8" Cotter Pin	VV-00-AZ-3-0037
25	3/16" X 1" Clevis Pin	1209-15
26	10-32 X 1" Filister Screw	AA-16-DD-3-01
27	1/4"-20 X 7/8" Filister Screw	AA-16-EE-3-0087
28	.328" Brass Washer	PP-00-AK-8
29	5/16"-18 X 3/4" Hex Bolt	BB-12-GG-3-0062
30	5/16"-18 X 1" Hex Bolt	BB-12-GG-3-01
31	3/8" X 3-1/2" Rivet	1249-40
32	1/2"-13 X 7/8" Hex Bolt	BB-12-PP-3-0087
33	1/2" Split Lockwasher	RR-00-AP-3
34	#6-32 X 1/4" Round Head Screw	AA-10-AA-3-0025
35	#10 Steel Washer	PP-00-AH-3
36	#10-32 X 1/4" Round Head Screw	AA-10-DD-3-0025
37	Wire Protective Bushing	1210-50
38	1/4"-20 X 3/4" Filister Screw	AA-16-EE-3-0075
39	White Marking Tag	16222-W

## Model 0333-2 AC/DC Highway Crossing Bell



Ref.	Description	Part Number
1	Push Nut	970-45
2	Rain Shield	1208-CA
3	1/4" X 1-1/4" Clevis Pin	1209-16
5	Gong	1211
6	Movement Base Assembly	1215*
*	Movement Base Sub-Assembly	1209-1
*	Armature & Pins Sub-Assembly	1209-2
*	Operating Link	1209-4
*	1/4" x 2" Clevis Pin	1209-17
*	Contact Arm	1210-5
*	Resistor Sub-Assembly	1210-42

**WESTERN-CULLEN-HAYES, INC.**

2700 W. 36TH PLACE      CHICAGO, IL. 60632  
(773) 254-9600              FAX (773) 254-1110

**Model 0333-2 AC/DC Parts List - Continued**

Ref.	Description	Part Number
7	Oscillator & Hammer Assembly	1215-1**
**	Oscillator	1209-11
**	Hammer & Reinforcement Spring	1210-17
8	Cover Gasket	1217-2
9	Cover	1219-2-M
10	Case	1220-2-M
13	Dust Guard-Felt	1248-15-1
15	Contact Block Insulator	1249-16-1
16	Contact Block Assembly	1249-26-1
17	Coil & Core Assembly	1249-30
18	Cable Clamp	1953-30-1
19	Clamp Nut	10707
20	Terminal Strip	2508-69-3
21	Binding Nut	10706
22	Washer	10708
23	1/16" X 1/2" Cotter Pin	VV-00-AZ-3-005
24	1/16" X 3/8" Cotter Pin	VV-00-AZ-3-0037
25	3/16" X 1" Clevis Pin	1209-15
26	10-32 X 1" Filister Screw	AA-16-DD-3-01
27	1/4"-20 X 7/8" Filister Screw	AA-16-EE-3-0087
28	.328" Brass Washer	PP-00-AK-8
29	5/16"-18 X 3/4" Hex Bolt	BB-12-GG-3-0062
30	5/16"-18 X 1" Hex Bolt	BB-12-GG-3-01
31	3/8" X 3-1/2" Rivet	1249-40
32	1/2"-13 X 7/8" Hex Screw	BB-12-PP-3-0087
33	1/2" Split Lockwasher	RR-00-AP-3
34	#6-32 X 1/4" Round Head Screw	AA-10-AA-3-0025
35	#10 Steel Washer	PP-00-AH-3
36	#10-32 X 1/4" Round Head Screw	AA-10-DD-3-0025
37	Rectifier Sub Assembly	1210-46-1
40	#8-32 X 3/4" Round Head Screw	AA-10-BB-3-0075
41	MOV Assembly	1210-47
42	Wire Protective Bushing	1210-50
43	1/4"-20 X 3/4" Filister Screw	AA-16-EE-3-0075
44	White Marking Tag	16222-W